

0 to 6
Months

Carrying Capacity
up to 15 kg

User's Manual

Babyhug Joy Cradle

Style Code : NUBF019



babyhug[®]

baby furniture

- Sturdy Frame
- Swing Lock Function
- Easy to Assemble

Please read the instructions carefully before use and keep this manual for future reference.

Safety Warning

- The cradle should always be locked when the child is unsupervised.
- Young children should not be allowed to play in the vicinity of the cradle.
- The cradle should always be placed on a firm and level surface.
- A mat size of 84.5 cm in length and 44.5 cm in width is suggested
- The thickness of the mattress should be such that the distance from the top of the mattress to the top of the cradle sides should not be less than 20 cm.
- Do not leave anything in the cradle, which could provide a foothold or present a danger of suffocation or strangulation.
- Do not use the body of cradle without the frame.
- Be aware of the risk of open fire and other sources of strong heat in the vicinity of this cradle
- Do not place the cradle near windows or other furniture.
- When the child is able to sit, kneel or pull itself up, the cradle should not be used anymore for that child.
- Designed and manufactured to BS EN 1130 – 1: 1997 & 2: 1996

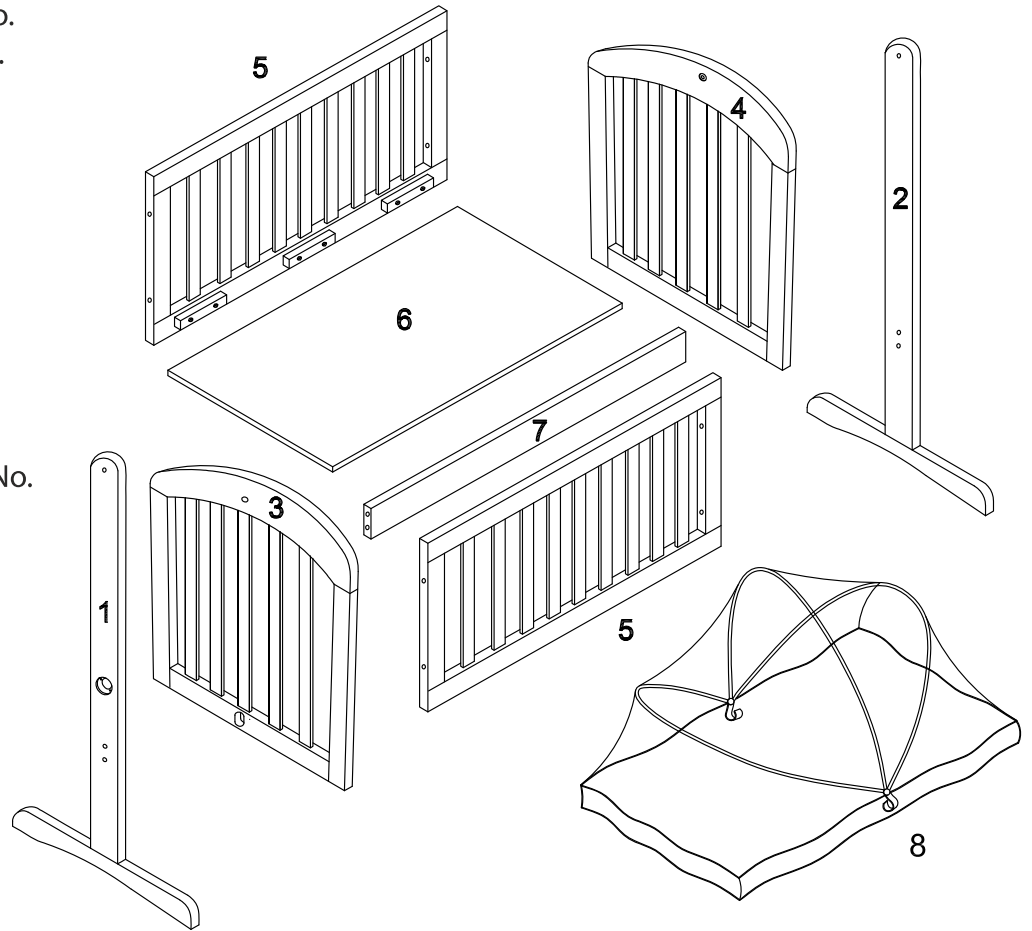
Care

- Regularly check the tightness of bolts and tighten as necessary.
- Check for damage which could render your cradle unsafe or cause splinters.
- To clean use a soft cloth, avoiding the use of strong detergents or abrasives.
- An occasional light application of a wax polish will help maintain a good appearance.

Assembly Instructions

Contents:

- 1) Head Board Stand : 1 No.
- 2) Foot Board Stand : 1 No.
- 3) Head Board : 1 No.
- 4) Foot Board : 1 No.
- 5) Straight Side : 2 No.
- 6) Base : 1 No.
- 7) Bar : 1 No.
- M6*60 mm Bolts : 8 No.
- M6*45 mm Bolts : 8 No.
- Barrel Nut : 4 No.
- Plastic Washer : 5 No.
- Allen Key : 1 No.
- Wooden Screw Cap : 2 No.



Hardware List

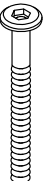
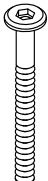
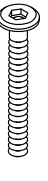

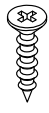
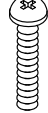

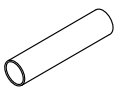
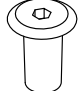
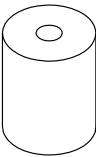

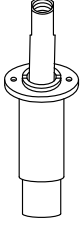
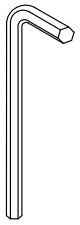
A	B	C	D	E	F	
						
M6*60mm	M6*60mm	M6*45mm				
X2	X4	X8	X4	X2	X1	
G	H	I	J	K	L	M
						
X2	X2	X2	X2	X1	X1	X2

Figure 1

As shown in **figure 1**, place the right and left stands near each other and connect them with the bar with M6*60 mm bolts and 4 barrel nuts.

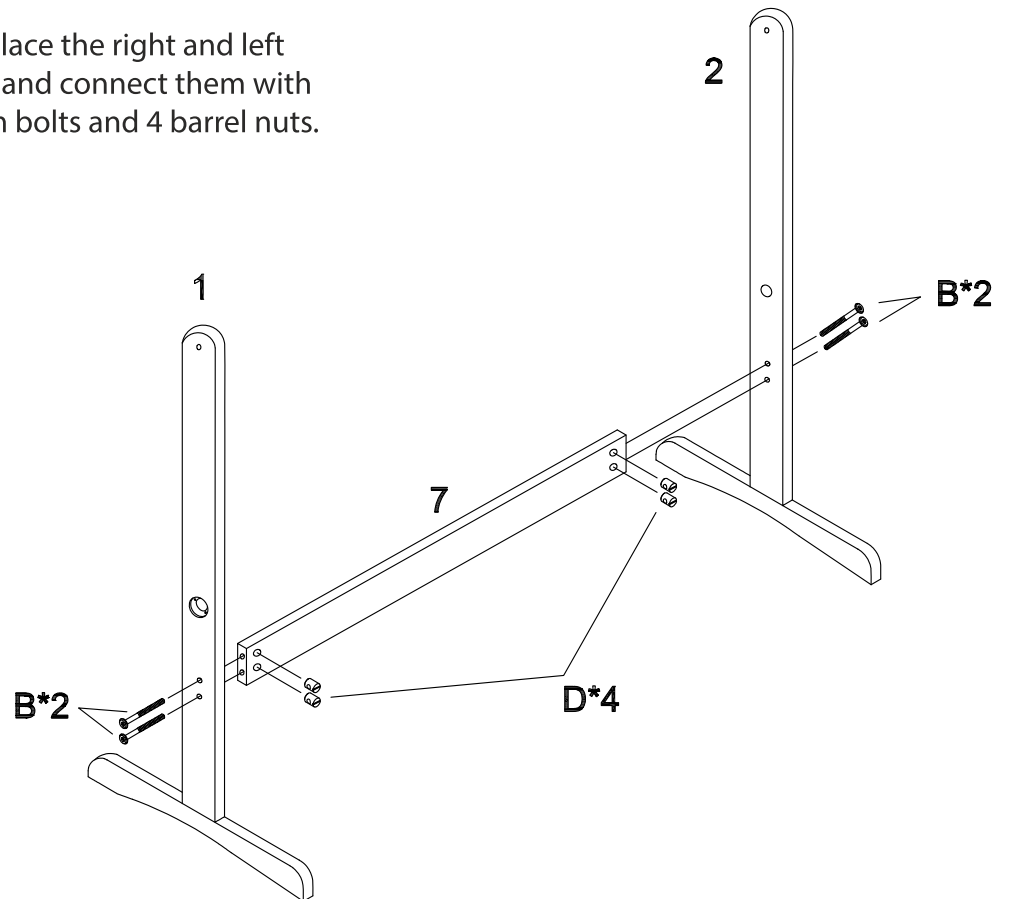


Figure 2

As shown in **figure 2**, fix the head and foot boards with the stands with M6*60 mm bolt, washer and wooden screw cap

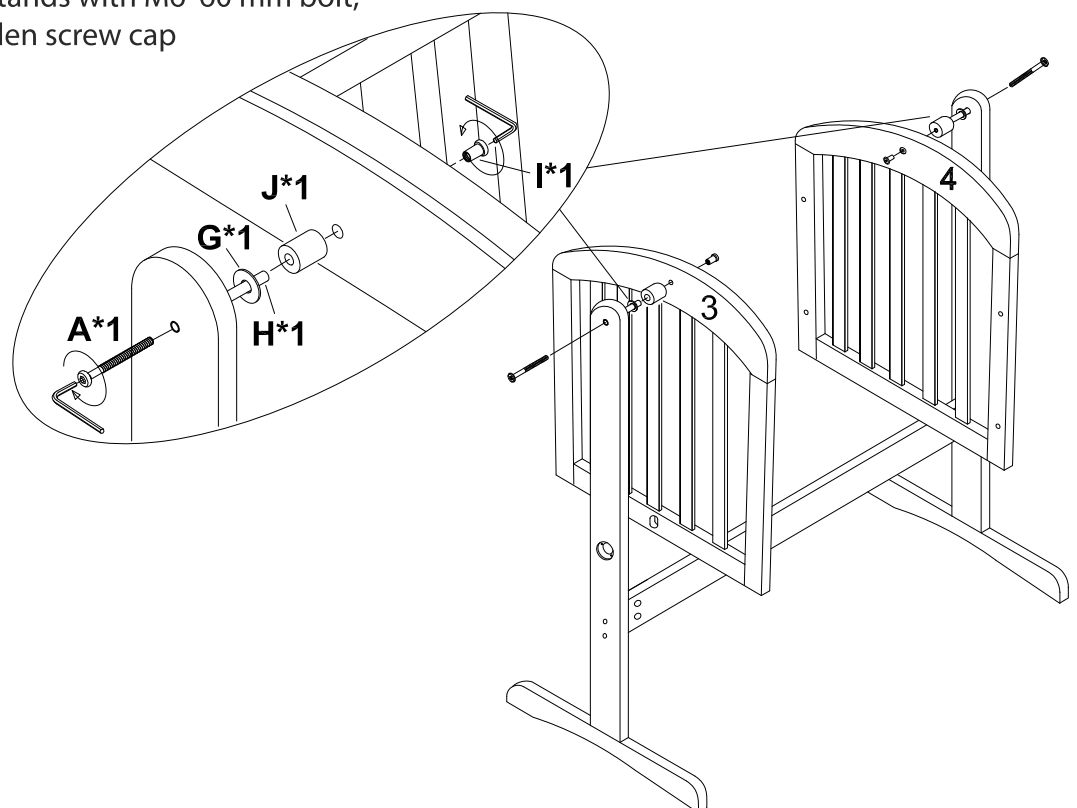


Figure 3

As shown in **figure 3**, fix the straight ends of the cradle with the right and left ends with 8 M6*45 mm bolts.

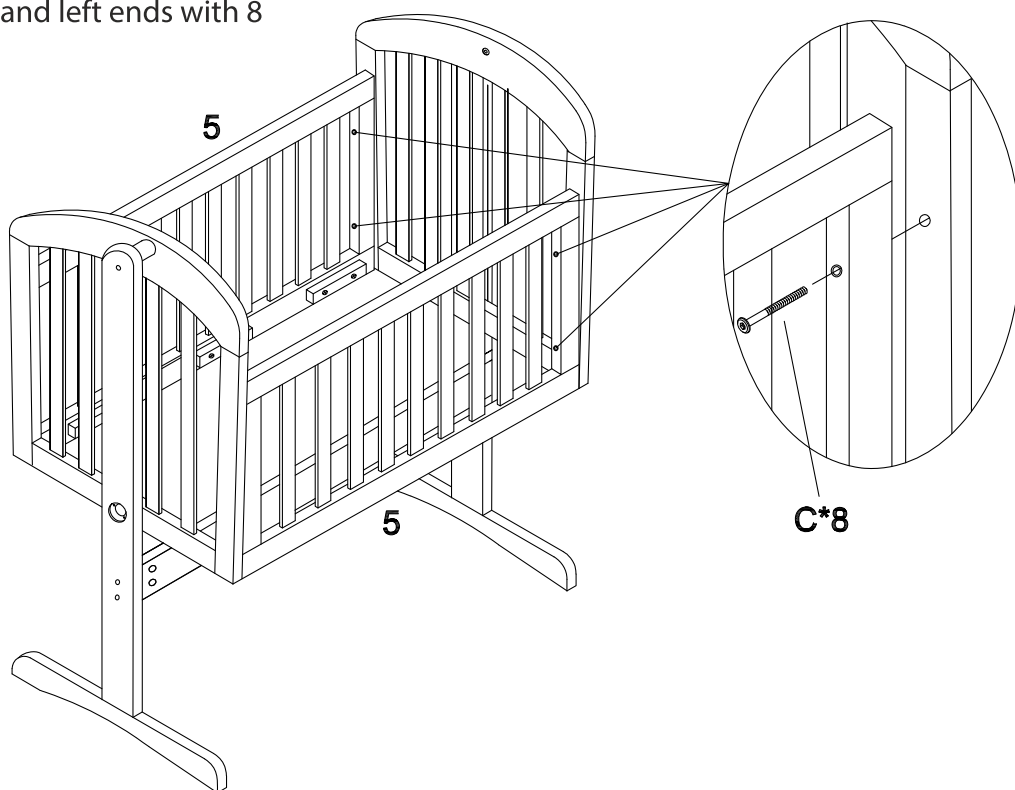


Figure 4

As shown in **figure 4**, lower the base into the cradle. It will be held into place by the projections already present at the base of the straight sides.

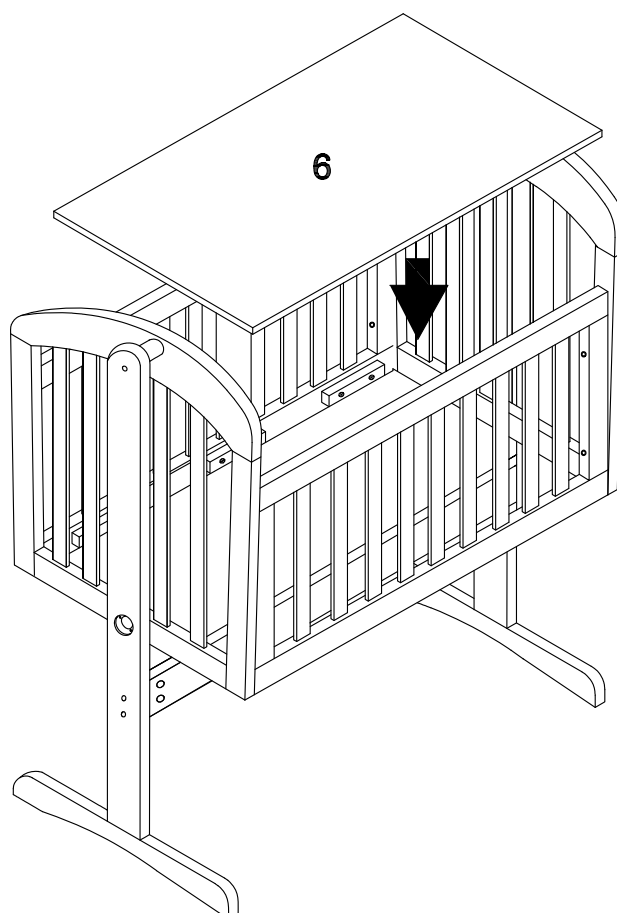


Figure 5

As shown in **figure 5**, insert the swing lock cylinder through the frame and the cradle and fix it with self-drilling screws. Next, attach the cylinder cap and screw it in place.

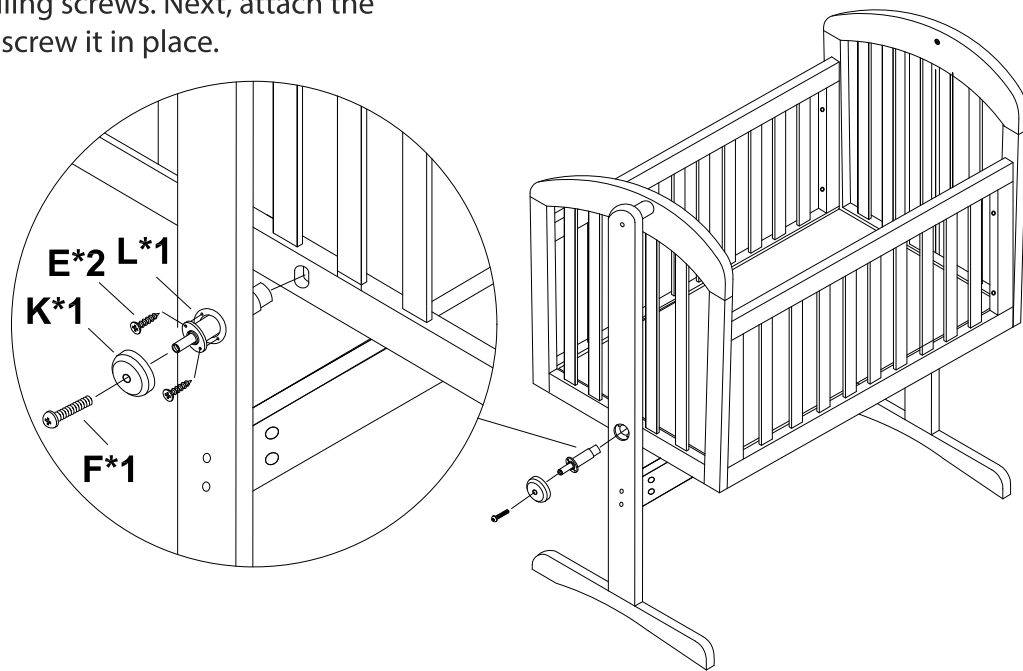
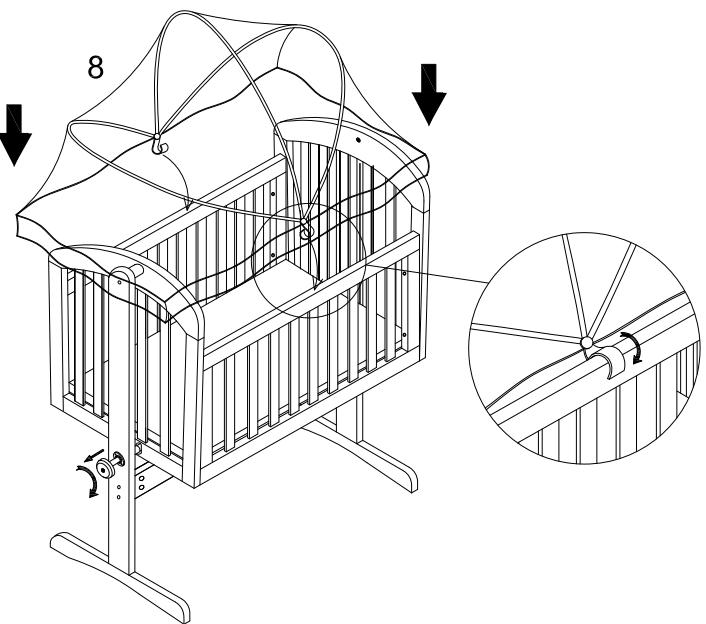


Figure 6

As shown in **figure 6**, the swing lock works on a spring mechanism. Push it in to lock the cradle in place and pull it out to release the lock.



Imported & Marketed By

Brainbees Solutions Pvt. Ltd.

Corporate & Registered Office Address:

Rajashree Business Park, Plot No: 114,

Survey No. 338, Tadiwala Road,

Near Sohrab Hall, Pune 411 001

Customer Care :

☎ 020-46608179

✉ customercare@brainbees.com

Made in China